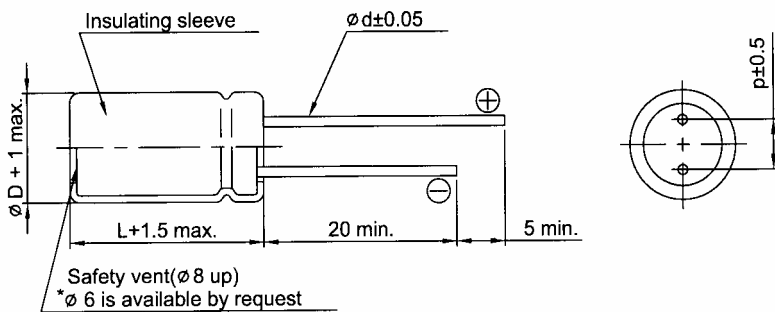


ELR Series is developed for use where **Low Leakage** current is essential for as coupling of pre-amplifiers, Leakage current remains very low even after prolonged storage.

Characteristics

Voltage Range	6.3 ~ 63V							
Capacitance Range	0.47 ~ 1000uF							
Temperature Range	-40 ~ + 105°C							
Leakage Current	I = 0.002CV or 0.4uA, whichever is greater (After 3 minutes)							
Capacitance Tolerance	±20% at 120Hz, 20°C (10% Tol. is available upon request)							
Dissipation Factor (at 120Hz 20°C)	WV	6.3	10	16	25	35	50	63
	Dissipation Factor(tan δ)max	0.24	0.20	0.17	0.15	0.12	0.1	0.1
Stability at Low Temperature	Impedance ration at 120Hz							
	Rated Voltage (V)	6.3-10	16	25-35	50	63		
	Z-25°C/Z 20°C	3	2	2	2	2		
	Z-40°C/Z 20°C	6	6	4	3	3		
Load Life (after application of the rated voltage with ripple current for 1000 hrs at 105°C)	The following specifications shall satisfied when the capacitors are restored to 20°C after rated working voltage applied for 1,000 hours at max. Operating temperature with the rated ripple current applied.							
	Capacitance change	Within ±20% of initial value.						
	Dissipation factor	200% or less of initial specified value						
	Leakage current	Less than initial specified value						



Drawing

D φ	5	6.3	8	10	13
P	2.0	2.5	3.5	5.0	5.0
d φ	0.5	0.5	0.5	0.6	0.6

Case Size and Maximum Ripple Current of Standard Products

φ DxL(mm) (mA, rms, 120HZ at 105°C)

WV Cap.	6.3		10		16		25		35		50		63	
	DxL	mA	DxL	mA	DxL	mA	DxL	mA	DxL	mA	DxL	mA	DxL	mA
0.47-1	All blank voltage on sleeve marking is same as "→" point to								→		5x11	13.2	5x11	13.2
2.2									→		5x11	22	5x11	22
3.3									→		5x11	828	5x11	31
4.7									→		5x11	33	5x11	38
10	→		5x11	42	5x11	46	5x11	51	6.3x11	55				
22	→		5x11	60	5x11	63	5x11	68	6.3x11	75	6.3x11	91		
33	→		5x11	70	5x11	76	6.3x11	83	6.3x11	99	8x12	110		
47	→		5x11	77	5x11	90	6.3x11	116	6.3x11	121	8x12	138	10x13	149
100	5x11	100	5x11	116	6.3x11	138	8x12	149	8x12	187	10x13	198	10x16	248
220	6.3x11	180	6.3x11	193	8x12	237	10x13	253	10x16	330	10x21	380	13x21	440
330	8x12	220	8x12	270	8x12	286	10x13	369	10x21	440	13x21	506	13x26	594
470	8x12	280	8x12	319	10x13	407	10x16	484	13x21	572	13x25	671		
1000	10x12	500	10x16	605	10x21	704	13x21	847	13x26	1012				