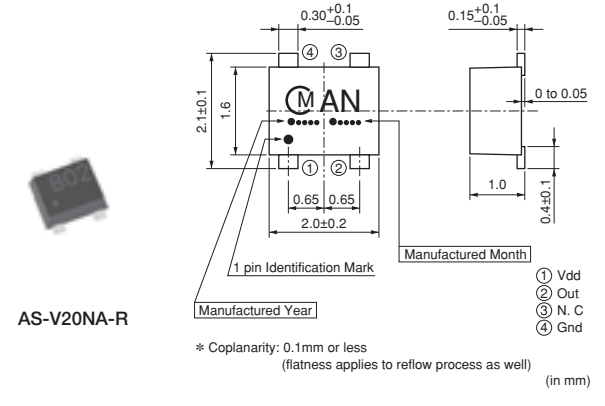
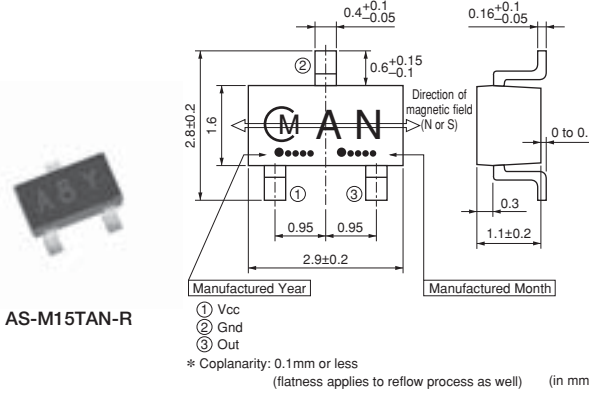
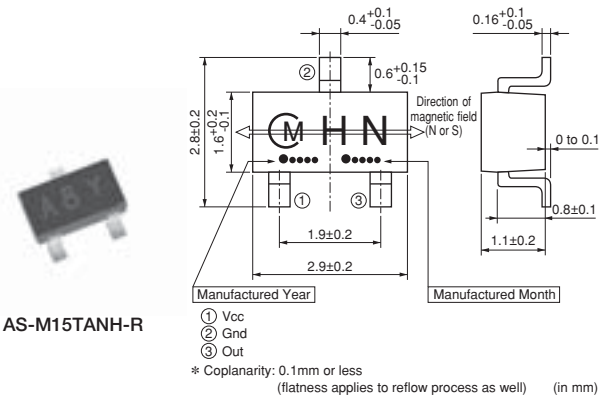
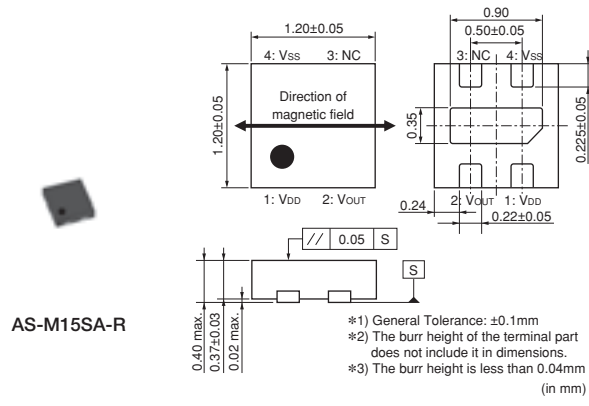
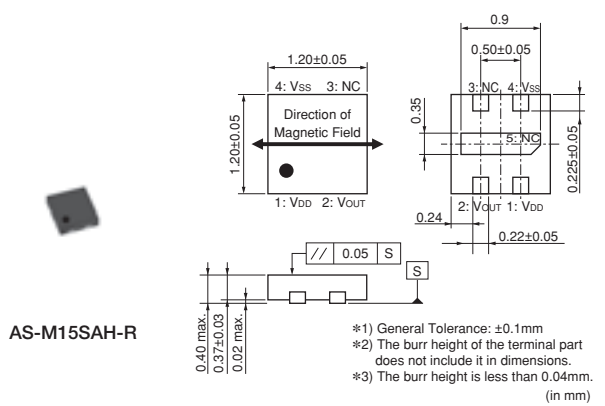
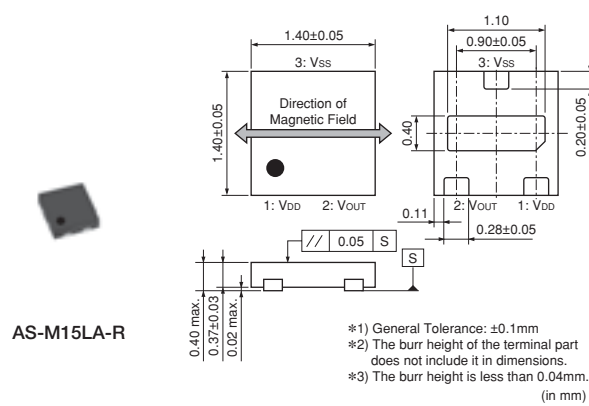
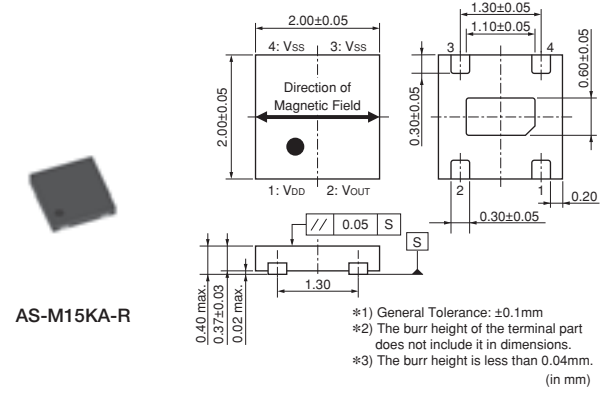
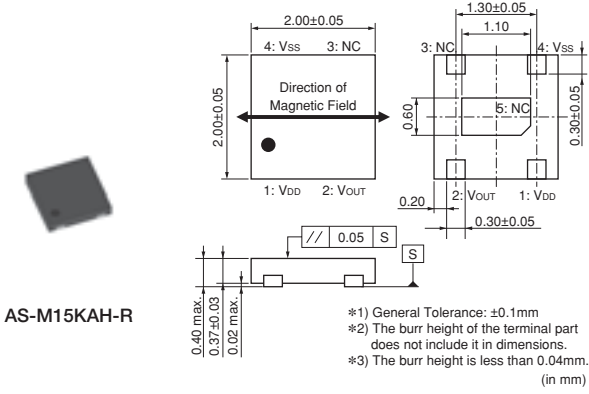
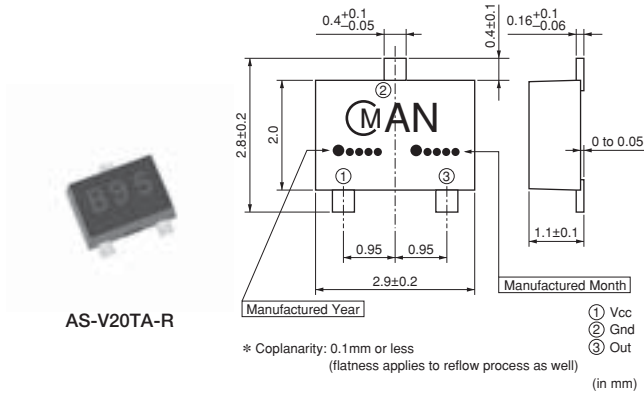


Magnetic Switch



Continued on the following page. ↗

Continued from the preceding page.



Part Number	Supply Voltage	Current Consumption	Operating Magnetic Field (H->L)	Operating Magnetic Field (L->H)	Operating Temperature Range	Storage Temperature Range
AS-M15KAH-R	1.6 to 6.0V	1.6 to 3.0μA	1.6mT max.	0.5mT min.	-40 to +85°C	-50 to +125°C
AS-M15KA-R	1.6 to 6.0V	1.6 to 3.0μA	2.2mT max.	0.5mT min.	-40 to +85°C	-50 to +125°C
AS-M15LA-R	1.6 to 6.0V	1.6 to 3.0μA	2.2mT max.	0.5mT min.	-40 to +85°C	-50 to +125°C
AS-M15SAH-R	1.6 to 6.0V	1.6 to 3.0μA	1.6mT max.	0.7mT min.	-40 to +85°C	-50 to +125°C
AS-M15SA-R	1.6 to 6.0V	1.6 to 3.0μA	2.2mT max.	0.5mT min.	-40 to +85°C	-50 to +125°C
AS-M15TANH-R	3.0 to 5.5V	8.0 to 15.0μA	1.7mT max.	0.7mT min.	-40 to +85°C	-40 to +125°C
AS-M15TAN-R	1.6 to 5.5V	5.0 to 12.0μA	2.5mT max.	0.5mT min.	-40 to +85°C	-40 to +125°C
AS-V20NA-R	2.5 to 3.5V	5.0 to 12.0μA	4.0mT max.	0.8mT min.	-40 to +85°C	-40 to +125°C
AS-V20TA-R	2.5 to 5.5V	5.0 to 12.0μA	4.0mT max.	0.8mT min.	-40 to +85°C	-40 to +125°C

● Part Numbering

Magnetic Switch

(Part Number)



① Product ID

② Type

Code	Type
M	Magnetic Switch (Horizontal Sensing Direction Type)
V	Magnetic Switch (Vertical Sensing Direction Type)

③ Sensitivity

Code	Sensitivity
15	1.5mT
20	2.0mT

④ Package

Code	Package
T	SOT23
N	SON4
S	X SON 1212
L	X SON 1414
K	X SON 2020

⑤⑥⑦ Individual Specification Code

⑧ Packaging

* "(Part Number)" shows only an example which might be different from actual part number.

* Any other definitions than "① Product ID" might have a different digit number from actual part number.

EU RoHS Compliant

- All the products in this catalog comply with EU RoHS.
- EU RoHS is "the European Directive 2011/65/EU on the Restriction of the Use of Certain Hazardous Substances in Electrical and Electronic Equipment."
- For more details, please refer to our website 'Murata's Approach for EU RoHS' (<http://www.murata.com/info/rohs.html>).

⚠Note:

1. Export Control

<For customers outside Japan>

No Murata products should be used or sold, through any channels, for use in the design, development, production, utilization, maintenance or operation of, or otherwise contribution to (1) any weapons (Weapons of Mass Destruction [nuclear, chemical or biological weapons or missiles] or conventional weapons) or (2) goods or systems specially designed or intended for military end-use or utilization by military end-users.

<For customers in Japan>

For products which are controlled items subject to the "Foreign Exchange and Foreign Trade Law" of Japan, the export license specified by the law is required for export.

2. Please contact our sales representatives or product engineers before using the products in this catalog for the applications listed below, which require especially high reliability for the prevention of defects which might directly damage a third party's life, body or property, or when one of our products is intended for use in applications other than those specified in this catalog.

- | | |
|-----------------------------|--|
| ① Aircraft equipment | ② Aerospace equipment |
| ③ Undersea equipment | ④ Power plant equipment |
| ⑤ Medical equipment | ⑥ Transportation equipment (vehicles, trains, ships, etc.) |
| ⑦ Traffic signal equipment | ⑧ Disaster prevention / crime prevention equipment |
| ⑨ Data-processing equipment | ⑩ Application of similar complexity and/or reliability requirements to the applications listed above |

3. Product specifications in this catalog are as of May 2012. They are subject to change or our products in it may be discontinued without advance notice.

Please check with our sales representatives or product engineers before ordering. If there are any questions, please contact our sales representatives or product engineers.

4. Please read rating and ⚠CAUTION (for storage, operating, rating, soldering, mounting and handling) in this catalog to prevent smoking and/or burning, etc.

5. This catalog has only typical specifications. Therefore, please approve our product specifications or transact the approval sheet for product specifications before ordering.

6. Please note that unless otherwise specified, we shall assume no responsibility whatsoever for any conflict or dispute that may occur in connection with the effect of our and/or a third party's intellectual property rights and other related rights in consideration of your use of our products and/or information described or contained in our catalogs. In this connection, no representation shall be made to the effect that any third parties are authorized to use the rights mentioned above under licenses without our consent.

7. No ozone depleting substances (ODS) under the Montreal Protocol are used in our manufacturing process.

 **Murata Manufacturing Co., Ltd.**

<http://www.murata.com/>

Head Office
1-10-1, Higashi Kotari, Nagaokakyo-shi, Kyoto 617-8555, Japan
Phone: 81-75-951-9111

International Division
3-29-12, Shibuya, Shibuya-ku, Tokyo 150-0002, Japan
Phone: 81-3-5469-6123 Fax: 81-3-5469-6155 E-mail: intl@murata.co.jp