

SENCITY[®] Special Communication Antenna Mounting Instruction



Keep away from catenary and high voltage lines.
Be careful when working at height!
Always secure ladders!
Always tighten screws!

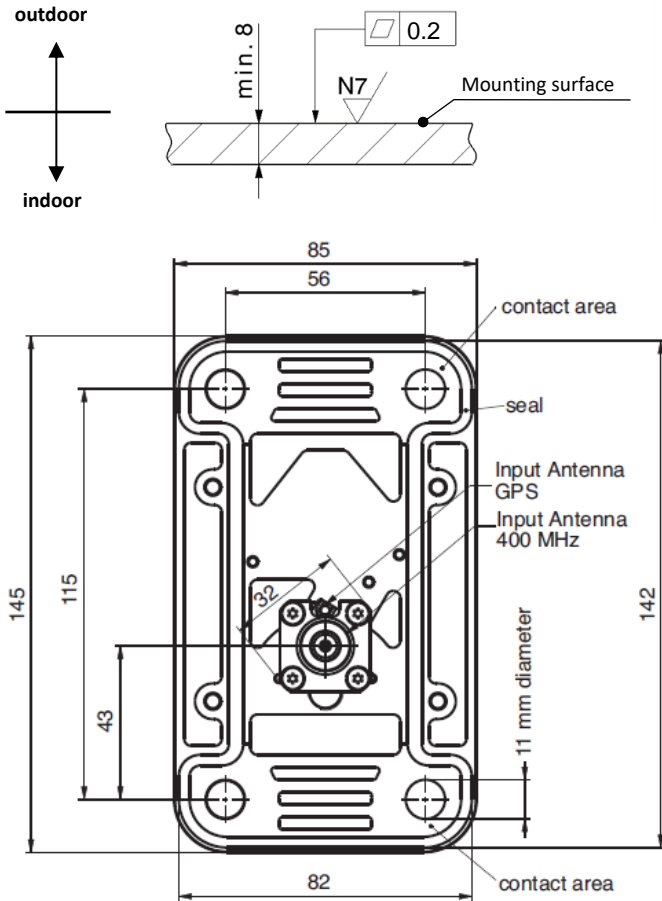


Avoid bringing the cover of the antenna into contact with acetone, gasoline or oil.

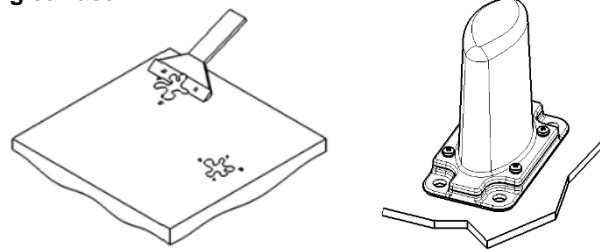
Dimensions in millimeter [mm]

Mounting

Mounting surface



Mounting hole for the connector: 33 (max. 35) mm diameter.



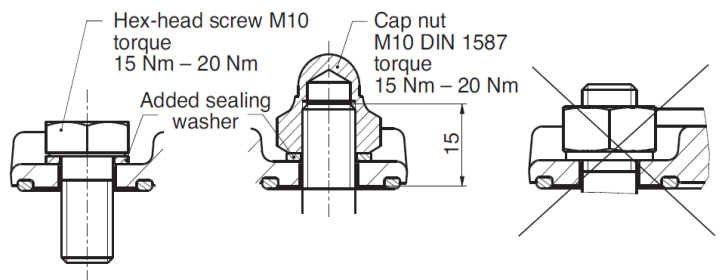
Recommended thicknesses of the mounting surface is 8mm (steel) or 12mm (aluminium).

Note: Keep mounting surface clear of paint for electrical contact.

On a conductive surface with a minimum size of 1000 x 1000 mm using 4 M10 bolts.

Use a cap nut or hex-head screw plus the enclosed sealing washer.

Situation of mounting



Grounding

The inner conductor and the mounting kit are DC grounded.

HUBER+SUHNER is certified according to ISO 9001, ISO 14001

Waiver: It is exclusively in written agreements that we provide our customers with warrants and representations as to the technical specifications and/or the fitness for any particular purpose. The facts and figures contained herein are carefully compiled to the best of our knowledge, but they are intended for general information purposes only.

HUBER+SUHNER – Excellence in Connectivity Solutions